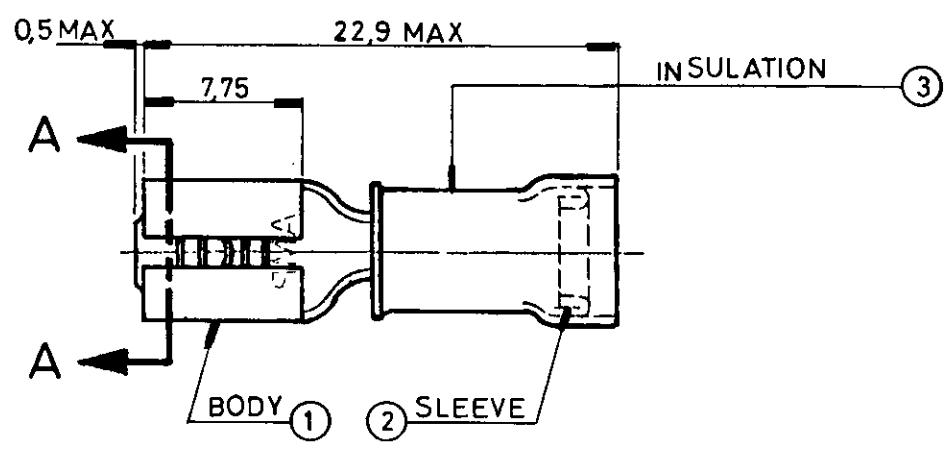


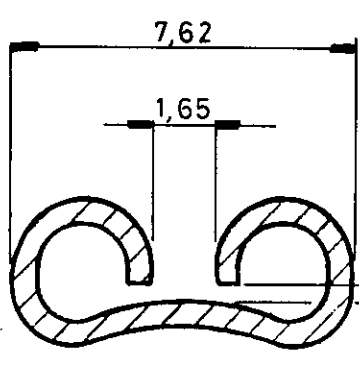
DWG N°  
PLANO N° C-42599

THIS INFORMATION IS CONFIDENTIAL AND IS DISCLOSED TO YOU ON THE CONDITION THAT NO FURTHER DISCLOSURE IS MADE TO ANY OTHER PERSONNEL WITHOUT WRITTEN AUTHORIZATION FROM AMP S.A. ARGENTINA

ESTA INFORMACION ES CONFIDENCIAL Y ES ENTREGADA A USTED A CONDICION QUE LA COMPAÑIA SUSCRIBIDA NO NEESESAVIO SINO CON SU PRESENCIA Y SIN SU APROBACION HAYA AUTORIZACION ESCRITA DE AMP S.A. ARGENTINA



SECTION "A-A"  
ROTATED 90°



CUSTOMER DWG  
REF. ONLY

LOC	AN	42599-2		3	PVC, RED COLOR	1
DIST				2	COPPER, TIN PLATED	1
				1	BRASS, TIN PLATED	1
		P/N	ITEM	MATERIAL		QTY
				DIVN / DIBUJO	CHK / CONTROL	APVD / APROBO
				M. JARA	May '95	MAY 95
				DIMENSIONS MEDIDAS mm		
				TOLERANCES UNLESS OTHERWISE SPECIFIED TOLERANCIAS SALVO OTRA INDICACION		
				0 PLC / LUG 1 1 PLC / LUG 1 2 PLC / LUG 2 3 PLC / LUG 2 4 PLC / LUG 2		
				TOL. GRAL ±0,2		
				NAME / NOMBRE		
				AMP AMP S.A. ARGENTINA C.I.Y.F.		
				RECEPTACLE		
				PIDG 22-18 FASTON		
				SCALE / ESCALA	SIZE / TALL	DRAWING N° / PLANO N°
				N.T.S.	A4	C-42599
						SHEET / HOJA OF / DE 1
						REV Y

THIS DRAWING IS A CONTROLLED DOCUMENT FOR AMP S.A. ARGENTINA. IT IS SUBJECT TO CHANGE AND THE CONTROLLING ENGINEERING ORGANIZATION SHOULD BE CONTACTED FOR THE LATEST REVISION. ESTE PLANO ES UN DOCUMENTO CONTROLADO POR AMP S.A. ARGENTINA. ESTA SUJETO A CAMBIOS Y HAY QUE CONTACTAR AL DEPT. DE INGENIERIA PARA ULTIMA REVISION.